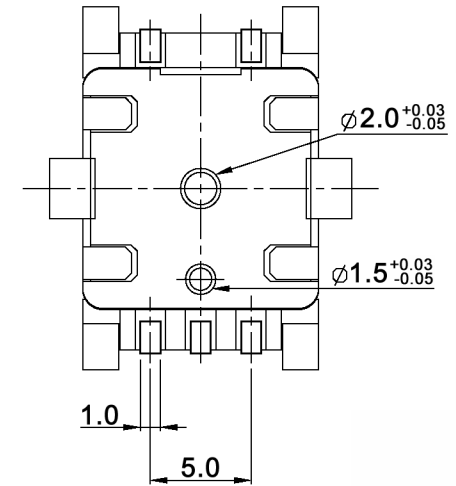
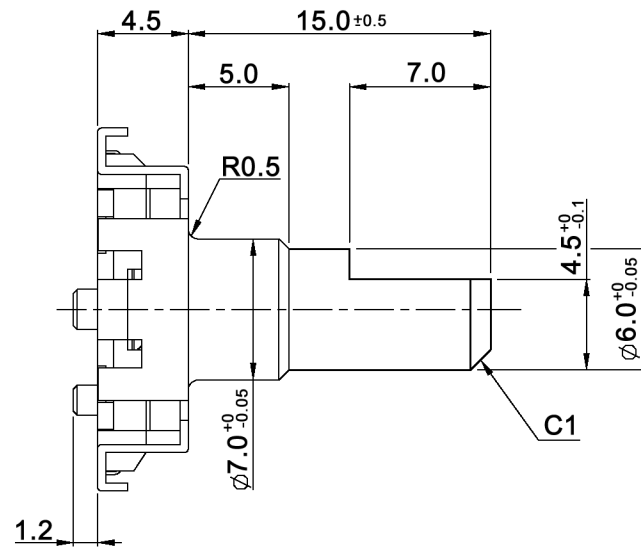


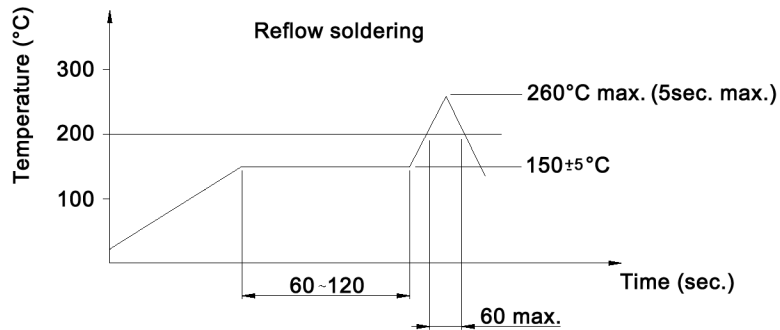
SHAFT FLAT IS OPTIONAL ANGLE



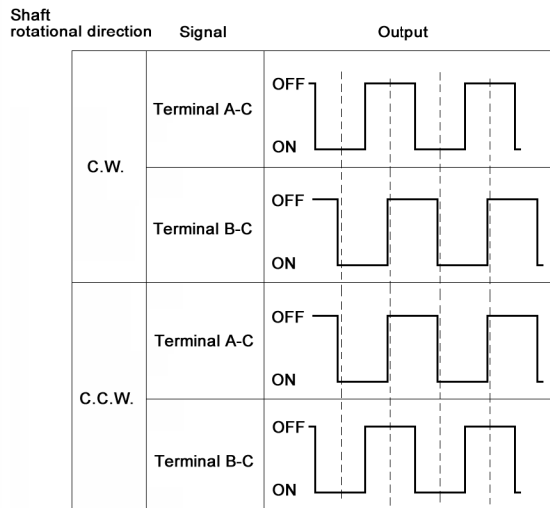
Tolerances: <10: ±0.3mm 10-100: ±0.5mm		Date	Name	<h1>MERS11-15115</h1>	
		07/11	dr		
				<h2>knitter-switch</h2>	
				<h1>30 24 08</h1>	
Modifications	Date	Name		Page 1/2	

**Specifications:**

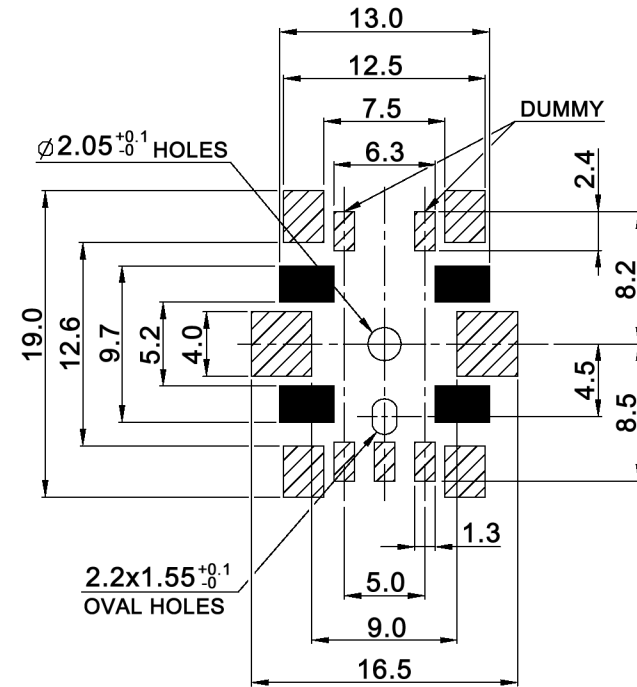
Contact rating: 10mA, 5V DC  
 Insulation resistance: 100M $\Omega$  min. at 250V DC  
 Dielectric strength: 300V AC for 1 minute  
 Operating temperature: -40°C to +85°C  
 Storage temperature: -40°C to +85°C  
 Resolution: 15 pulses / 360° for each phase  
 Detent torque: 100 +/-70gf.cm  
 No. and pos. of detents: 30 detents; step angle: 12° +/-3°  
 Rotational life: 15 000 cycles  
 Soldering conditions:



**OUTPUT SIGNAL FORMAT**



**P.C.B. MOUNTING**  
(TOLERANCE ±0.1)  
VIEWED FROM MOUNTING SIDE



A SLANT LINE PART SHOWS THE SOLDER LAND.  
BLACK PART: DO NOT SOLDER AND NO WIRING FOR ELECTRICAL CONTACT.



Tolerances: <10: ±0.3mm 10-100: ±0.5mm		Date	Name	<b>MERS11-15115</b>
		07/11	dr	
		<b>knitter-switch</b>		<b>30 24 08</b>
Modifications		Date	Name	Page 2/2